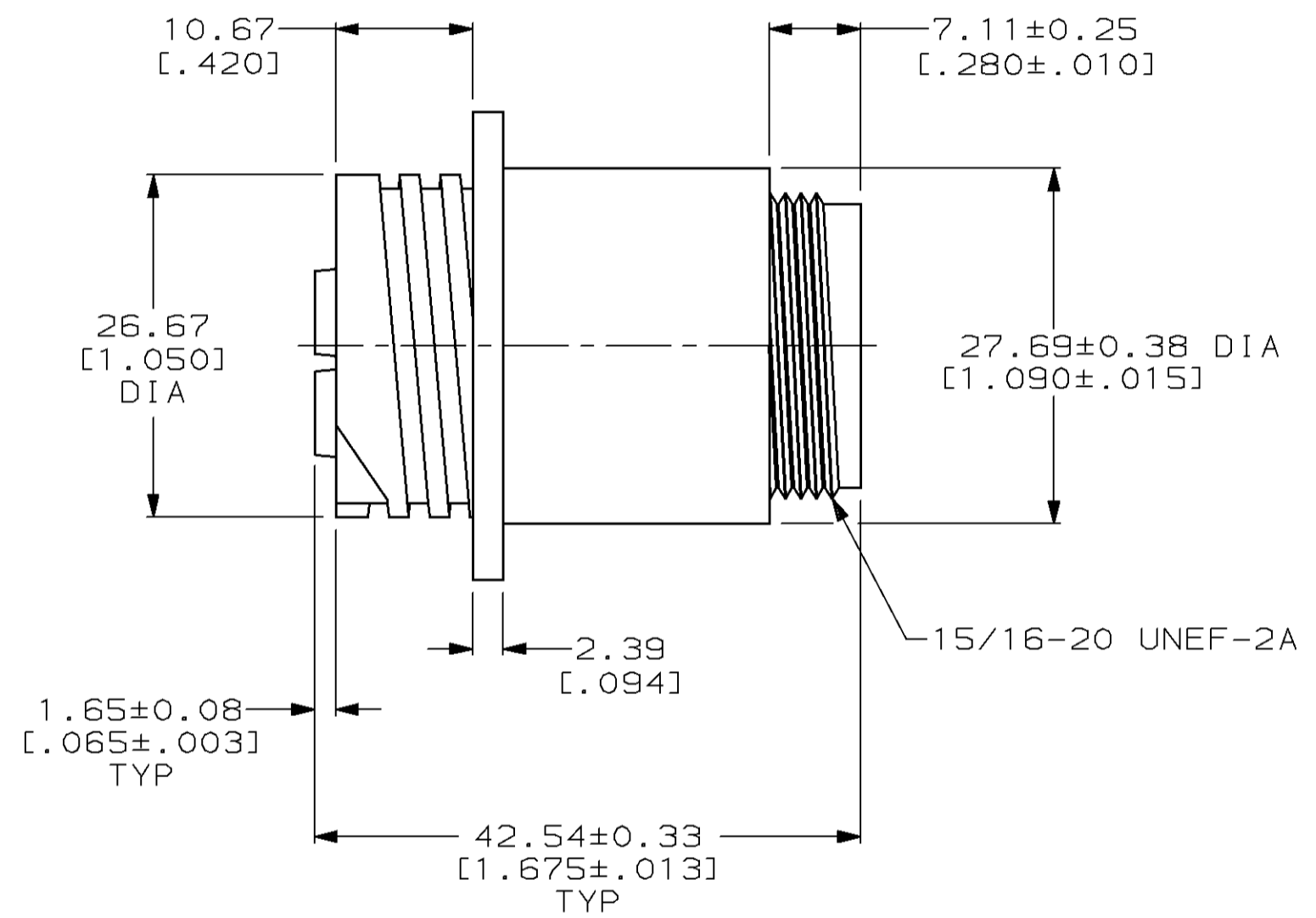
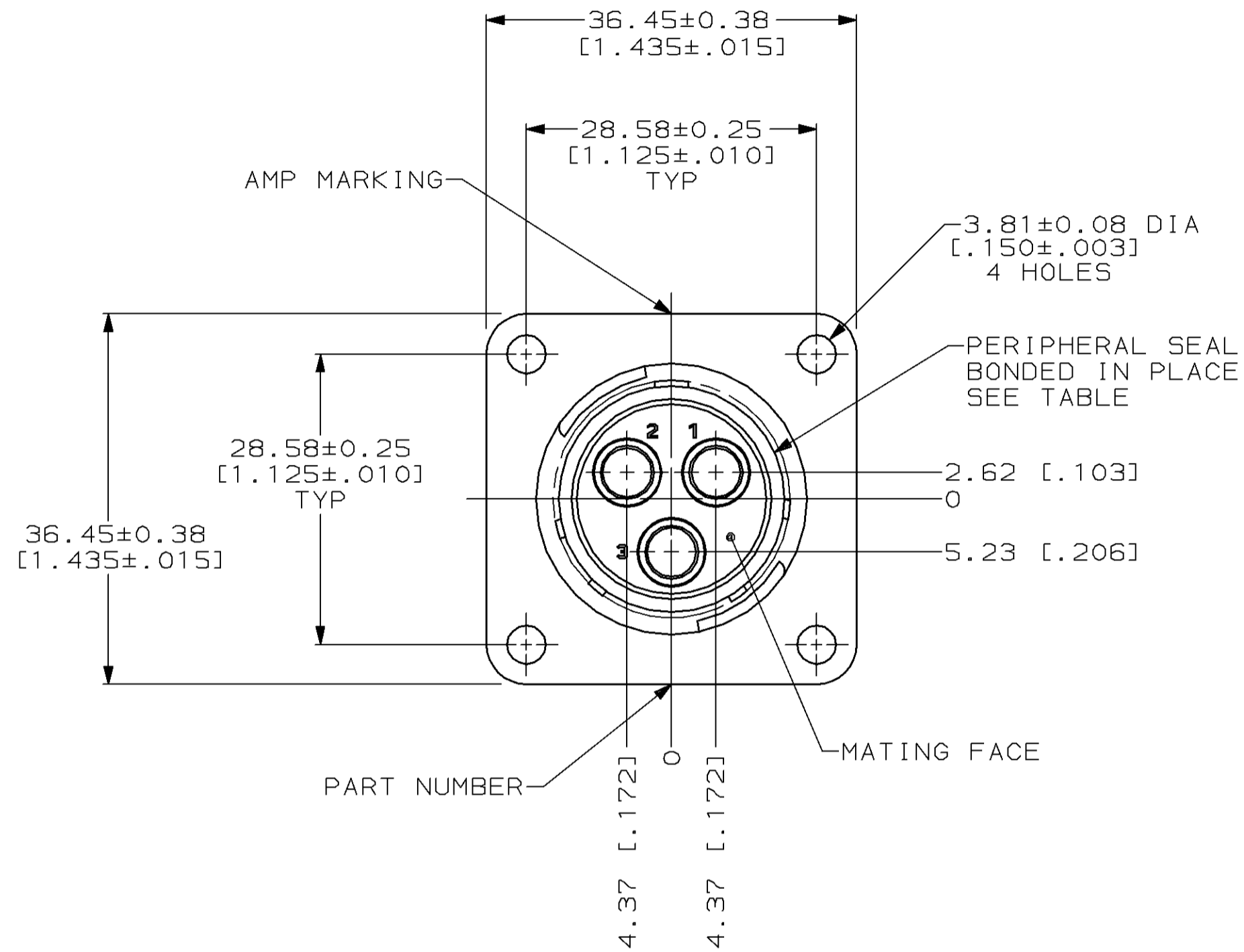


THIS DRAWING IS UNPUBLISHED. RELEASED FOR PUBLICATION
 BY AMP INCORPORATED. ALL RIGHTS RESERVED.

LOC	DIST	REVISIONS					
		P	LTR	DESCRIPTION	DATE	DWN	APVD
BD	35		0	RELEASED -1 PER NPR 5365, WAS 95-7970-17	06/23/95	-	-
			A	ADDED -2 AND REVISED PER EC 0020-900-95	15 SEP 95	DH	AF



YES	213889-2
NO	213889-1
PERIPHERAL SEAL	PART NUMBER

<small>THIS DRAWING IS A CONTROLLED DOCUMENT FOR AMP INCORPORATED. IT IS SUBJECT TO CHANGE AND THE CONTROLLING ENGINEERING ORGANIZATION SHOULD BE CONTACTED FOR THE LATEST REVISION.</small>		DWN	D.HARDY	06/23/95	AMP AMP Incorporated Harrisburg, PA 17105-3608		
DIMENSIONS: mm [INCHES]		CHK	R.STONE	06/29/95			
TOLERANCES UNLESS OTHERWISE SPECIFIED: 0 PLC ±- 1 PLC ±- 2 PLC ±0.13 [.005] 3 PLC ±- 4 PLC ±- ANGLES ±- FINISH -		APVD	A.FRANTUM	06/29/95			
MATERIAL NYLON, BLACK		NAME	RECEPTACLE HOUSING, REVERSE SEX, SERIES 5, 17-3, CIRCULAR PLASTIC CONNECTOR				
PRODUCT SPEC 108-1579		APPLICATION SPEC	SIZE	A2	CAGE CODE	00779	
CUSTOMER DRAWING		WEIGHT	-	DRAWING NO	C-213889		
		SCALE	2:1	SHEET	1 OF 1	REV	A

213889